



Features

Parameter	Unit	Specifications
Model	-	200 GHz – RAD - 0001
Operating Frequency	GHz	220
RF Bandwidth	GHz	10 (+/-5)
LO Source Frequency	GHz	110
Pre-Detection Bandwidth	GHz	0.02 – 5 ($\pm 10\%$)
Centre frequency Accuracy	MHz	< 1
Radiometric Dynamic Range	K	3 - 350
Radiometric Sensitivity	K	<1.7
Integration Time	ms	5
System Noise Figure (DSB)	dB	10
Conical Antenna Gain (dBi)	dB	21.5
Voltage Output	V	0.1 – 10
Detector Type	-	Square Law
Conical Antenna Flange	-	UG-387/UM
Waveguide flange	-	UG-387/UM
Video Output Connector	-	SMA (F)
Power Requirements	-	+15 V @ 1500 mA
Weight	kg	3.5
Dimensions (L x W x H)	mm	300 x 200 x 70

Applications

- Atmospheric research
- Meteorology
- Radio propagation studies
- Instrumentation
- Imaging

Description

A high performance radiometric sensor at 220 GHz.

*Note 1: Different centre frequency and IF bandwidth available.
Contact factory for information.*

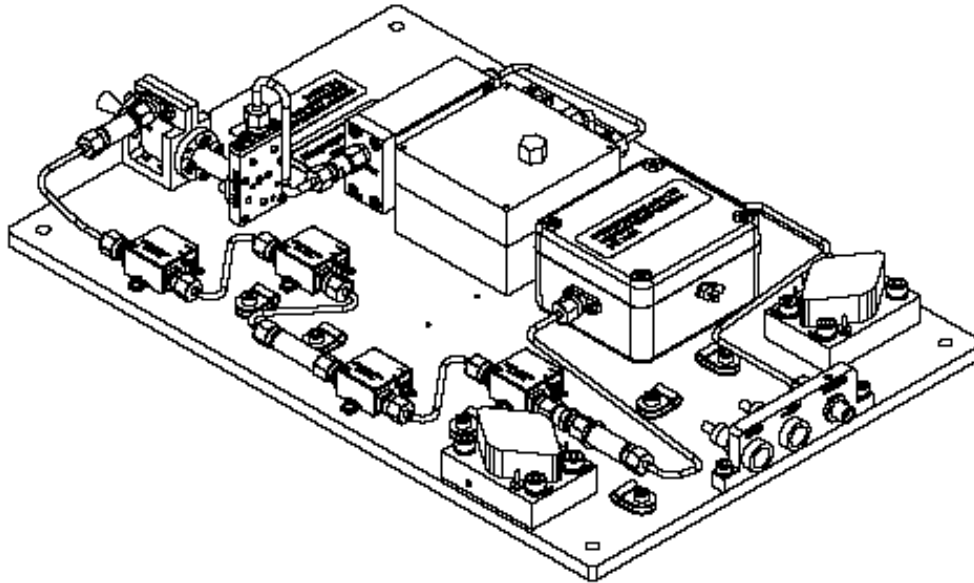


Figure 1. 220 GHz – RAD - 0001 angle view.

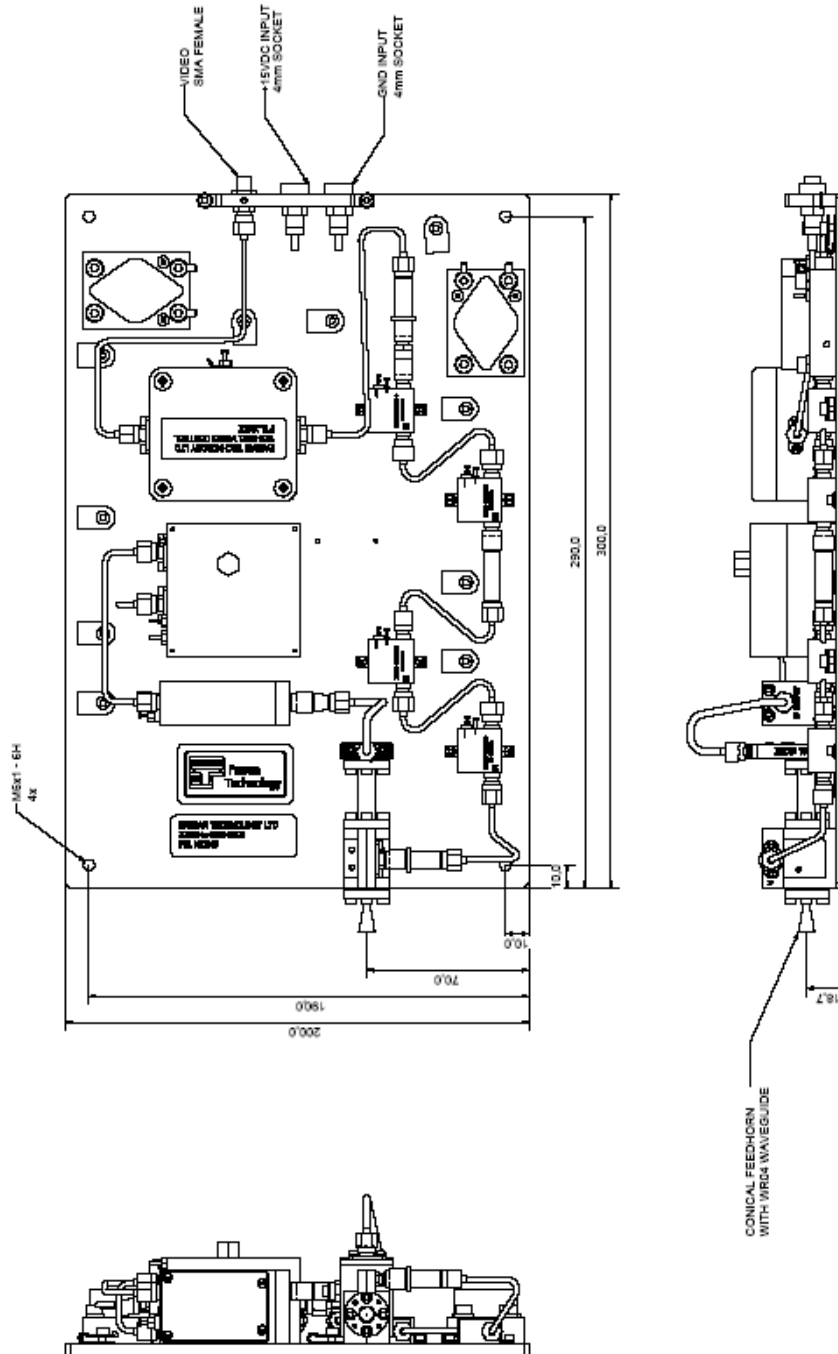


Figure 2. 220 GHz - RAD - 0001 top and side view.

Note 2 :

Farran Technology reserves the right to change, without notice, the characteristic data and other specifications applied to this product. The product may be subject to Irish export restrictions.